

EXHIBITION STANDS

Auto Forum 2008

16.-17.10.2008, Wroclaw, Poland, hotel Sofitel

The organizer of Auto Forum 2008 offers two options of exhibition stands:

1. Hiring a standard stand
2. Hiring an exhibition space for participant's own stand or display

1. Hiring a standard stand

The organizer offers the hire of a standard stand of dimensions 2m x 0,5m for exhibiting products and advertising materials. The use of a participant's own display systems fitting the area of the stand is also possible.

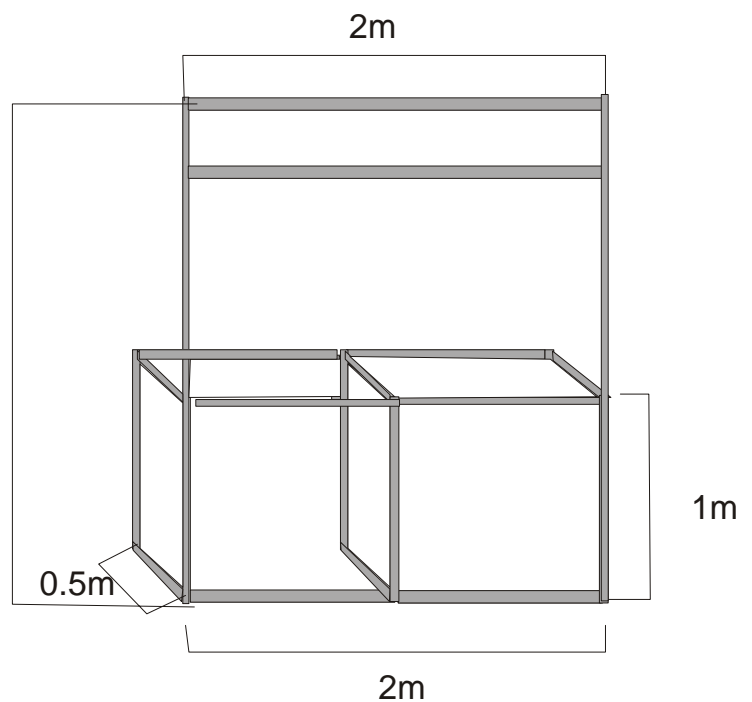
The exhibitor should provide the organizer with the logo in an electronic file for processing.

The COST of hiring the above exhibition stand is:

Standard fee: 2000 PLN net or 610 Euro net (+22% VAT)
Special fee for the members of Auto Forum Club: 1700 PLN net or 530 Euro net (+22% VAT)



2.5m



2m

1m

0.5m

2. Hiring an exhibition space for participant's own stand or display

There is a possibility to hire an exhibition space for a participant's own stand or display. The display is construed as an assembled portable stand brought along by an exhibitor. The standard surface we offer is up to 2 meters long and 1.5 meters depth.

The COST of hiring space for own stand or display is:

The surface up to 2 meters:

Standard fee (the surface up to 2m): 1700 PLN net or 530 Euro net (+22% VAT)
--

Special fee (the surface up to 2m) for the members of Auto Forum Club: 1400 net or 450 Euro net (+22% VAT)
--

The surface up to 3 meters:

Standard fee (the surface up to 3m): 2550 PLN net or 790 Euro net (+22% VAT)
--

Special fee (the surface up to 3m) for the members of Auto Forum Club: 2200 net or 690 Euro net (+22% VAT)
--

Examples:



PURCHASE ORDER

Please complete the form in legible text and return it by fax to: **+48 (0) 71/ 788 99 18**. All the following details are required for the order of an exhibition stand or space.

Full company name:	
Street:	
Postal code:	
City:	
Tax identification number (VAT):	
Ordering person:	
Telephone:	
Fax.:	
e-mail:	

Notice. The purchase order for an exhibition stand or space does not include the fee for the participation of a person(s) from your company. Participation in Auto Forum 2007 requires the registration of a participant (separate form) and the payment of the due fee.

Declaration by participant.

I confirm the hire of a standard exhibition stand (standard fee PLN net 2000 or 610 Euro (+22% VAT))	Yes <input type="checkbox"/>	No <input type="checkbox"/>
I confirm the hire of a standard exhibition stand as the member of Auto Forum Club (special fee PLN 1700 net or EUR 530 net (+22% VAT))	Yes <input type="checkbox"/>	No <input type="checkbox"/>
I order a space for our own portable stand or display of length up to 2m and width up to 1.5 m (fee PLN 1700 net or EUR 530 net (+22% VAT))	Yes <input type="checkbox"/>	No <input type="checkbox"/>
I order a space for our own portable stand or display of length up to 2m and width up to 1.5 m – as the members of Auto Forum Club (special fee PLN 1400 net or EUR 450 net (+22% VAT))	Yes <input type="checkbox"/>	No <input type="checkbox"/>
I order a space for our own portable stand or display of length up to 3m and width up to 1.5 m (fee PLN 2550 net or EUR 790 net (+22% VAT))	Yes <input type="checkbox"/>	No <input type="checkbox"/>
I order a space for our own portable stand or display of length up to 3m and width up to 1.5 m – as the member of Auto Forum Club (special fee PLN 2200 net or EUR 690 net (+22% VAT))	Yes <input type="checkbox"/>	No <input type="checkbox"/>

I hereby agree to the issue of an invoice without the signature of a buyer. Payment will be settled within 7 days of the Purchase Order submission.

First name and surname of authorised person

date

stamp and signature

Details for bank transfer:

transfer addressee: **ART STUDIO ROMAN PIETRZYK;**
bank name: **ING BANK SLASKI O/Wroclaw;**
account No.: **73 1050 1575 1000 0023 2552 2700**
SWIFT CODE: **INGBPLPW**
IBAN: **PL 73 1050 1575 1000 0023 2552 2700**

Please give an annotation in the transfer title: **"EXHIBITION STAND + COMPANY NAME"**